

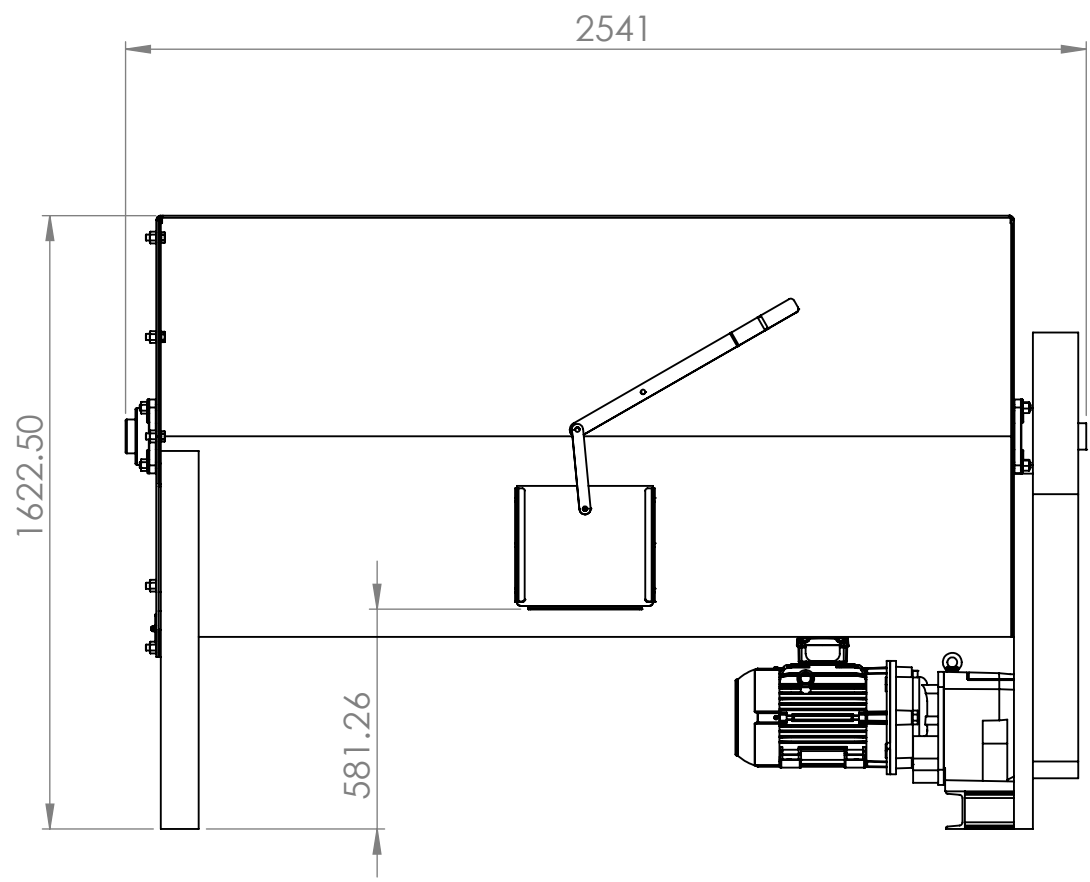
6 5 4 3 2 1

D

C

B

A

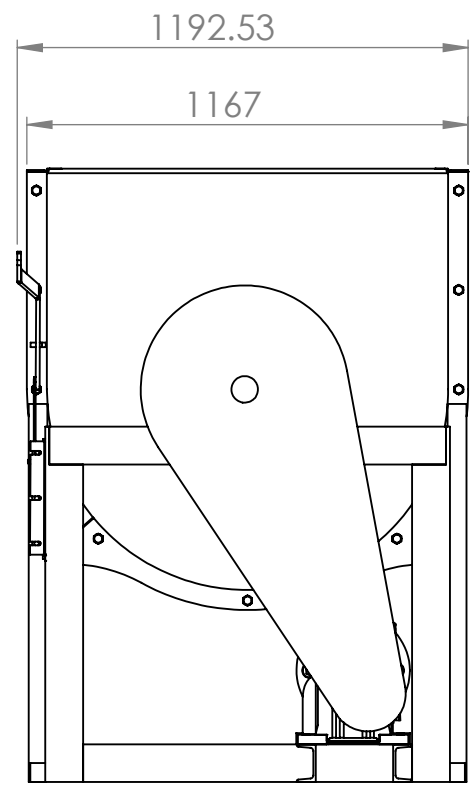


D

C

B

A



6 5 4 3 2 1

DO NOT SCALE DRAWING		REVISION 1
RUMAX		
TITLE: 1 TON SPAANMENGER		
DWG NO.	1	A4
SCALE: 1:50		SHEET 1 OF 1

6

5

4

3

2

1

D

D

1167

3284.18

C

C

3012

B

B

1622.43

579.50

A

A

DO NOT SCALE DRAWING

REVISION 1

RUMAX

TITLE:

**1.5 TON
SPAANMENGER**

DWG NO.

1

A4

SCALE:1:50

SHEET 1 OF 1

6

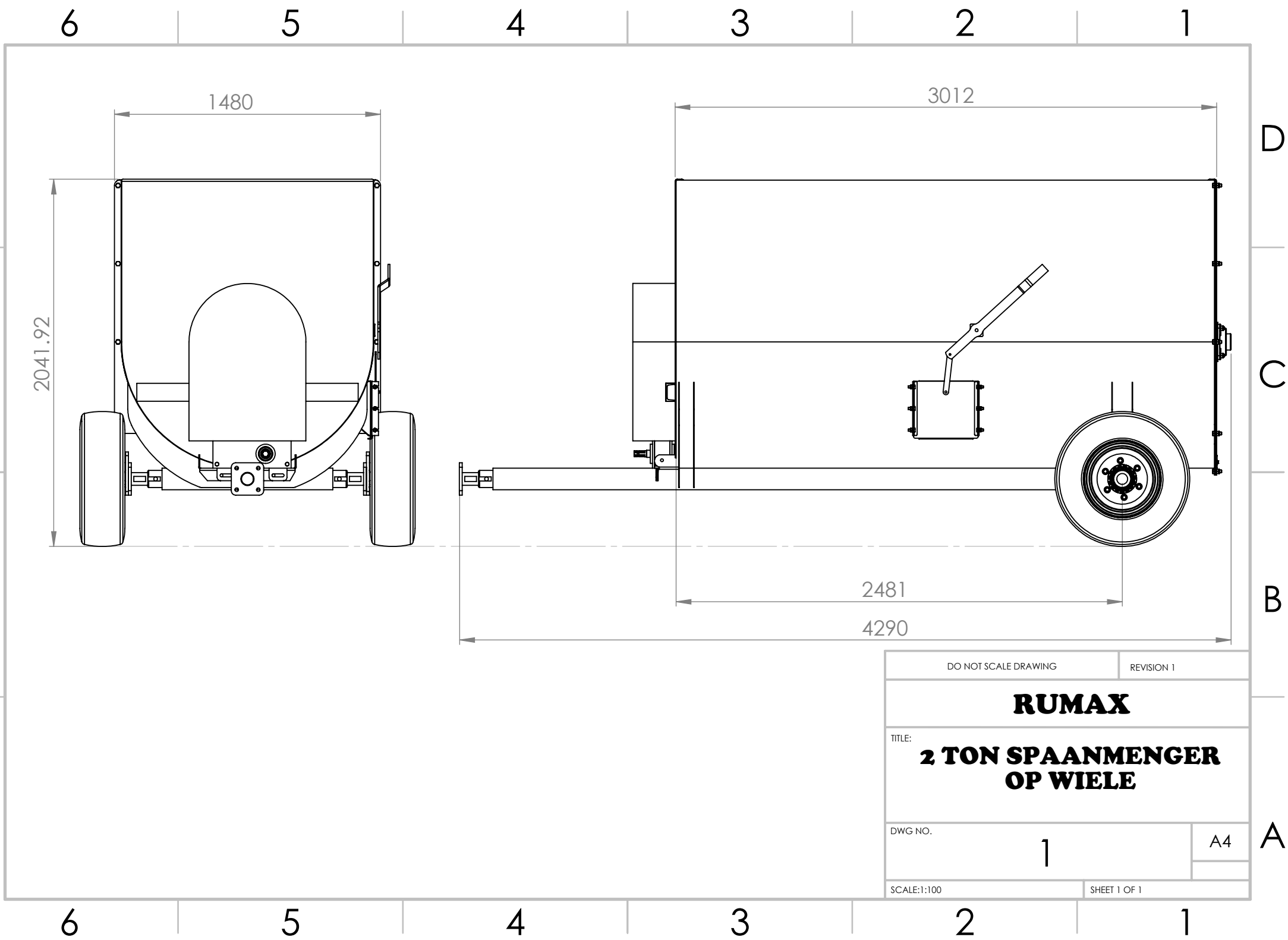
5

4

3

2

1



6

5

4

3

2

1

D

D

C

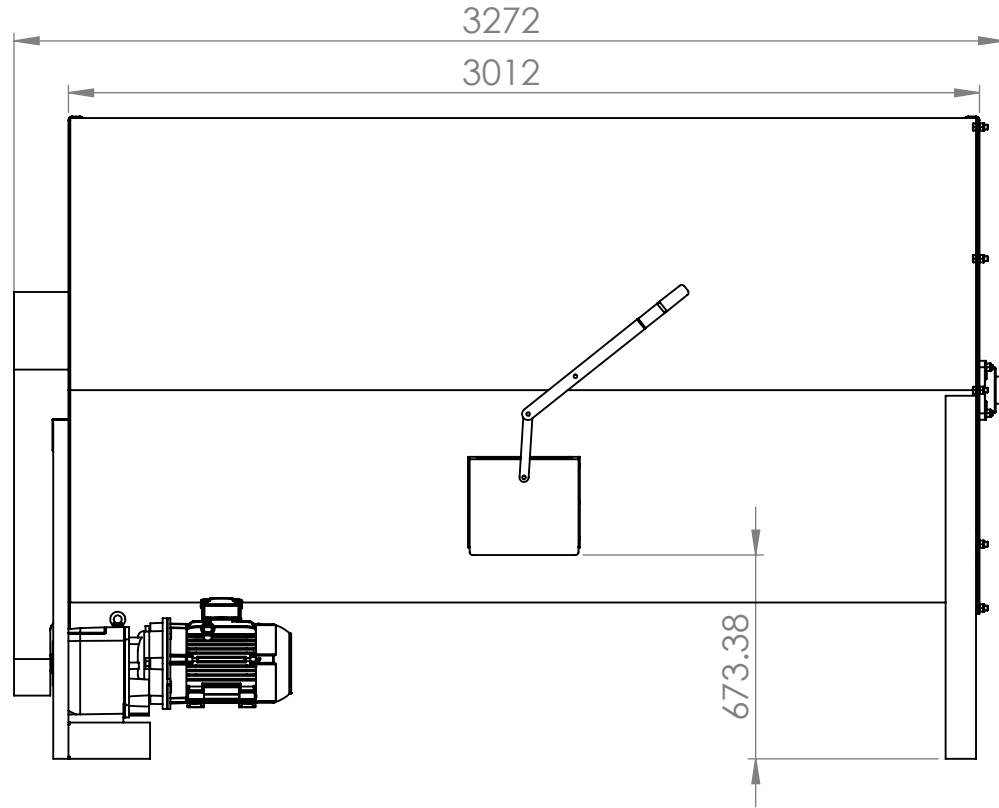
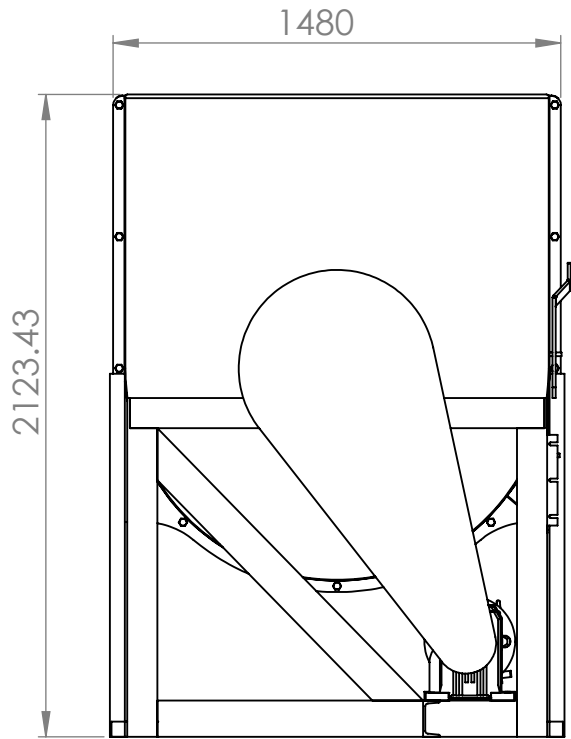
C

B

B

A

A



DO NOT SCALE DRAWING		REVISION 1
RUMAX		
TITLE: 2 TON SPAANMENGER		
DWG NO.	1	A4
SCALE:1:100		SHEET 1 OF 1

6

5

4

3

2

1